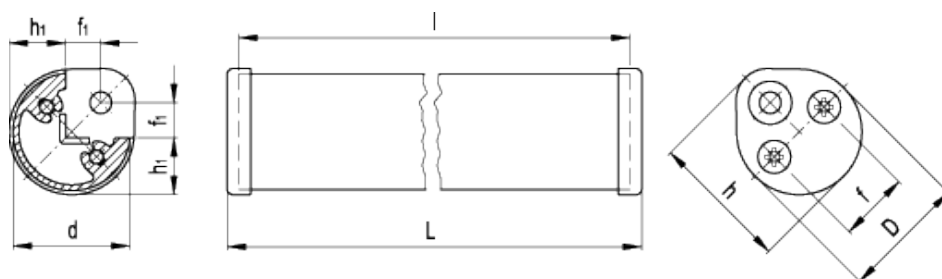


GN 481

Edge handles



technical informations

Material

Aluminium profile, Ø 30 mm.

End caps

Die-cast zinc alloy. Fitted to the tube by means of self-tapping countersunk head screws DIN 7500-1, type M with TORX® (registered trademark of TEXTRON INC.).

Colour

RAL 9005 black colour, matte finish, epoxy resin coating.

Assembly

Through holes, for countersunk head screws.

Features and applications

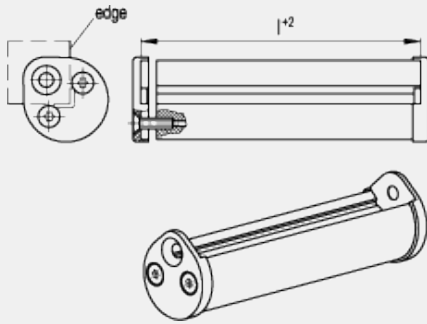
The standard profile length can be easily adapted (by cutting it according to your need) to the edge of the application, thanks to the special geometry of the profile in which the screws of the end caps directly tap their assembly holes.

Assembly instructions

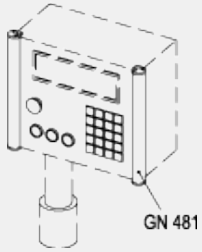
In order to assemble easily the profile to the edge ($l + 2 \text{ mm}$), we suggest you do not tighten completely the self-tapping screws to the end caps.

Once the profile is fitted to the edge:

- tighten the end caps self-tapping screws
- fit the handles by means of the two countersunk head screws.



Application example



| Standard Elements | Main dimensions | | | | | | | | Weight |
|-------------------|-----------------|-----|----|----|----------------|------|--------------------------------|-------------------|--------|
| Description | L | l | D | f | f ₁ | h | h ₁ ^{-0.5} | d ^{-0.5} | g |
| GN 481-30-100-SW | 106 | 100 | 32 | 18 | 9 | 34.5 | 14.5 | 30 | 105 |
| GN 481-30-200-SW | 206 | 200 | 32 | 18 | 9 | 34.5 | 14.5 | 30 | 150 |
| GN 481-30-300-SW | 306 | 300 | 32 | 18 | 9 | 34.5 | 14.5 | 30 | 195 |
| GN 481-30-400-SW | 406 | 400 | 32 | 18 | 9 | 34.5 | 14.5 | 30 | 250 |
| GN 481-30-500-SW | 506 | 500 | 32 | 18 | 9 | 34.5 | 14.5 | 30 | 300 |



ELESA and GANTER models all rights reserved in accordance with the law. Always mention the source when reproducing our drawings.

STANDARD MACHINE ELEMENTS WORLDWIDE